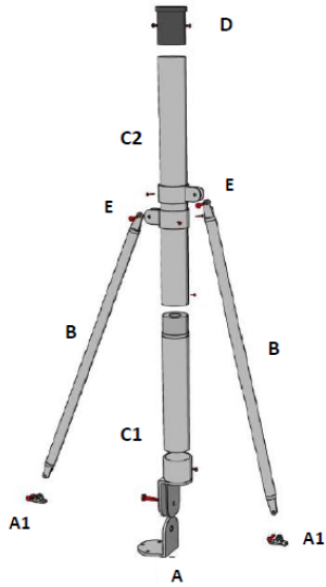


Superwind Marine Mast Kit- Custom Built By Klacko Marine – Made in Canada



Mast components made of polished 316L Stainless Steel.
16ga Wall thickness 2.25 OD

See Pg 27 of the Superwind Manual for installation instructions for the Superwind.

The stanchion support brackets part(s) E require the only holes that must be drilled and taped on the mast kit by the end user. Due to the custom mounting of the stanchions for each application, these holes will have to be drilled and taped in their final mounted positions. The Tap size is a 10/24 with a bit size of #25 or 5/32". The screw to be used is provided in part(s) E.

Part	Description
A	Mast Deck Mounting Base.
A1	Stanchion Deck Mounting Base.
B	7' Stanchions Supports.
C1	2" Mast Lower Half.
C2	2" Mast Upper Half.
D	Delran Turbine Bushing.
E	Stanchion Support Brackets.



1801 N French Rd
Getzville, NY 14068 USA
716-276-8465